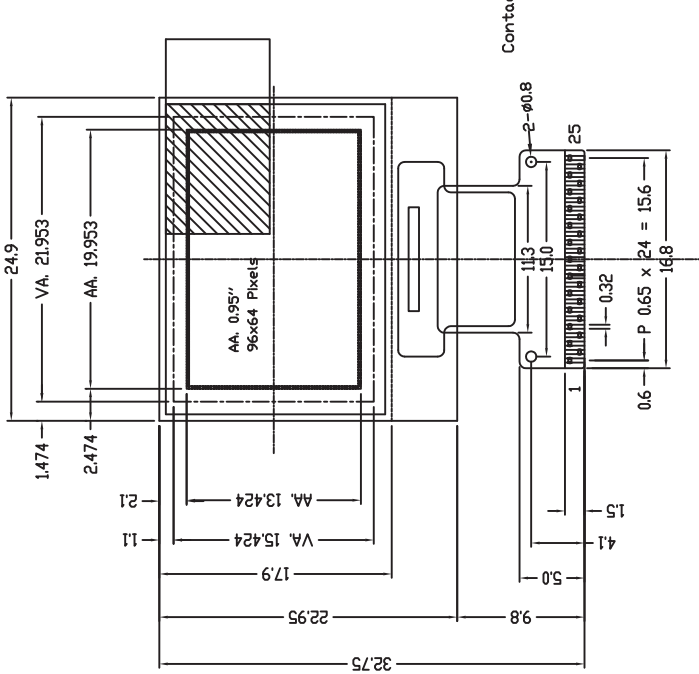


Outline Drawing

No:	PIN NAME
1	NC
2	VCC
3	VSS
4	VDD
5	VDDIO
6	BS1
7	BS2
8	CS
9	RES
10	D/C
11	WR
12	RD
13	D0
14	D1
15	D2
16	D3
17	D4
18	D5
19	D6
20	D7
21	IREF
22	VCOMH
23	VCC
24	VSS
25	NC

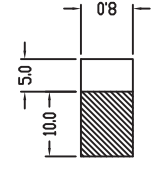
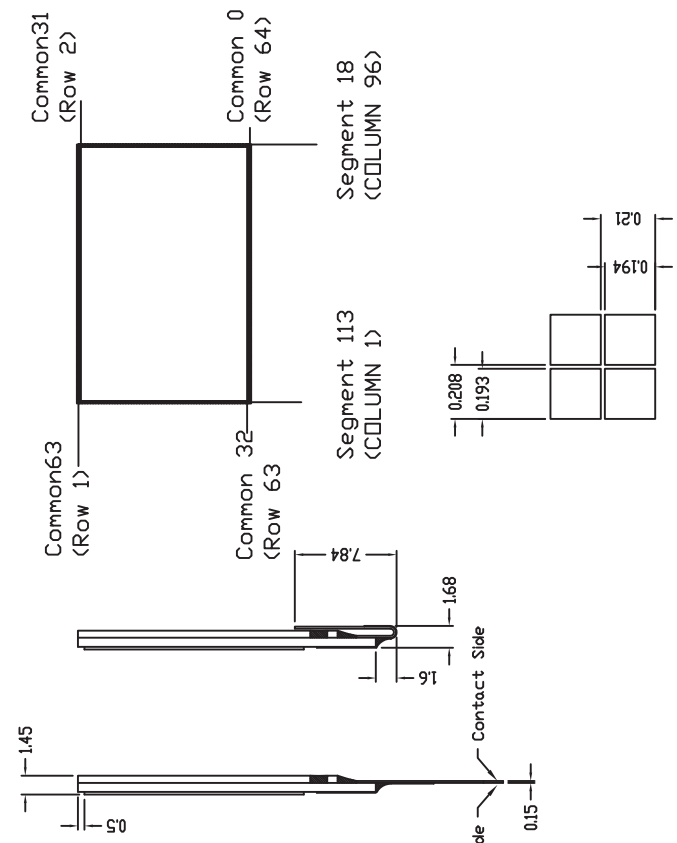
SCALE 2 : 1



NOTES:

- 1.Modu Type: OLED/White
- 2.Driver IC: SSD1305Z
- 3.OPERATIN TEMP: -30° C---+70° C
- 4.STORAGE TEMP: -40° C---+85° C
- 5.Duty:1/64
- 6.General Tolerance:± 0.3 mm
7. RoHS Compliant

SCALE 40 : 1



DRAWN BY:	TITLE: KFOL0095EN	
CHECKED BY:	SCALE:	SCALE: mm
APPROVED BY:	DWG NO:	UNIT: mm
CONFIRMED BY:	DWG NAME:	SHEET NO: OF