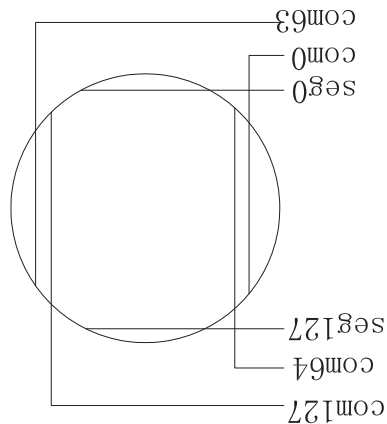
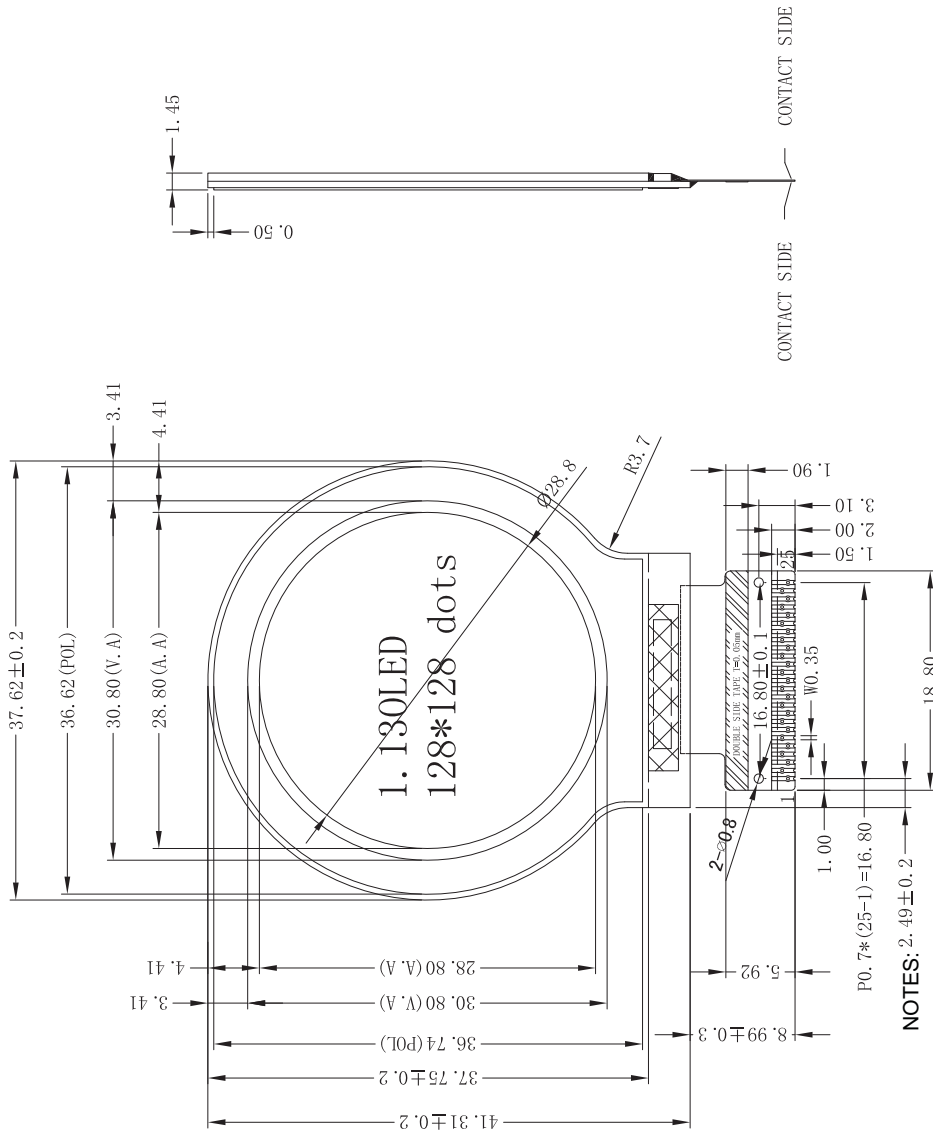


Outline Drawing

PIN FUCTION		
PIN	SYMBOL	SYMBOL
1	NC	D0
2	VSS	D1
3	VDD	D2
4	VDDIO	D3
5	BS1	D4
6	BS2	D5
7	IREF	D6
8	NC	D7
9	/CS	VCOMH
10	/RES	VCC
11	D/C	VSS
12	/WR	NC
13	/RD	



- 1.Modu Type: OLED/ Yellow
- 2.Driver IC: SSD1329Z
- 3.OPERATIN TEMP: -20° C---+70° C
- 4.STORAGE TEMP: -30° C---+80° C
- 5.Duty:1/128
- 6.General Tolerance:± 0.2 mm
7. RoHS Compliant

NOTES: 2.49±0.2

P0.7*(25-1)=16.80

DRAWN BY:	TITLE: KFOL0113AUG	SCALE:	mm
CHECKED BY:	DWG NO:	UNIT:	mm
APPROVED BY:	DWG NAME:	SHEET NO:	OF
CONFIRMED BY:			