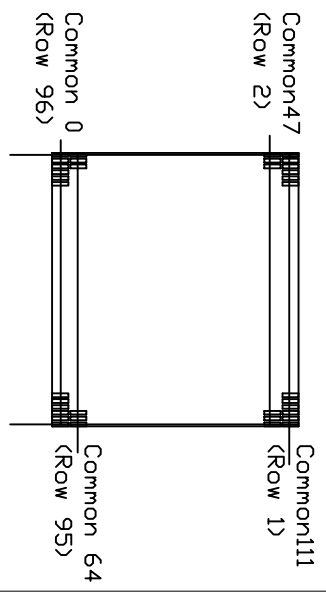
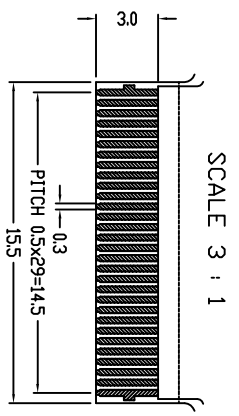
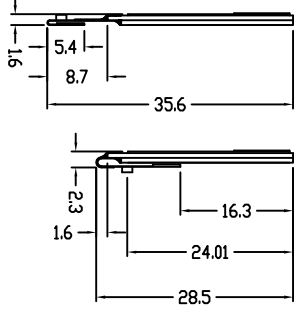
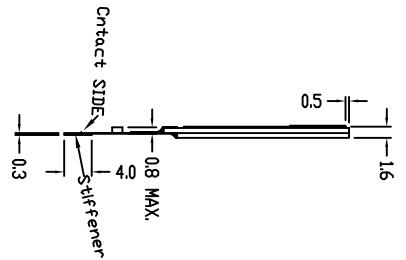
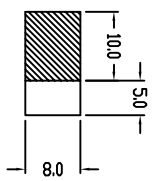
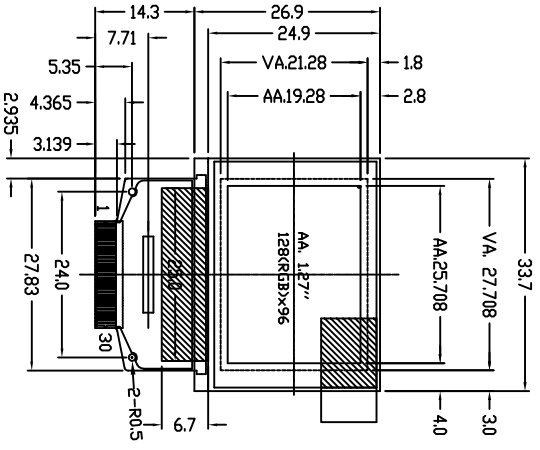
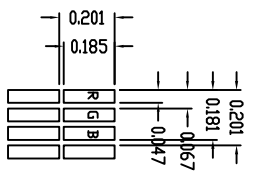


No:	PIN NAME
1	N.C.(GND)
2	VCC
3	VCDMH
4	VDDID
5	VSL
6	N.C.
7	D7
8	D6
9	D5
10	D4
11	D3
12	D2
13	D1
14	D0
15	E/RD#
16	R/W#
17	BS0
18	BS1
19	CS#
20	D/C#
21	RES#
22	IREF
23	GPID1
24	GPID0
25	N.C.
26	VDD
27	VCI
28	VSS
29	N.C.
30	N.C.(GND)



Segment A0  
(COLUMN 1)  
Segment C127  
(COLUMN 384)



SCALE 40 : 1

- NOTES:  
1.DISPLAY Color : Full color  
2.DRIVE IC: SSD1332  
3.OPERATING TEMP: -30°C ~ 70°C  
4.STORAGE TEMP: -40°C ~ 80°C  
5.General Tolerance : ±0.3MM  
6.RoHS Compliant

DRAWN BY:	TITLE: 0127AN	SCALE:	UNIT: mm
CHECKED BY:	DWG NO:	SCALE:	UNIT: mm
APPROVED BY:	DWG NAME:	SHEET NO: 0F	
CONFIRMED BY:			