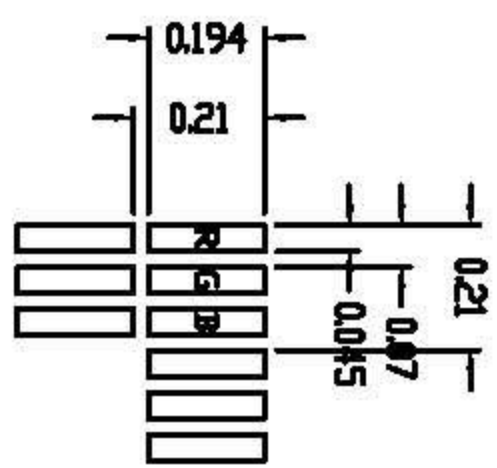
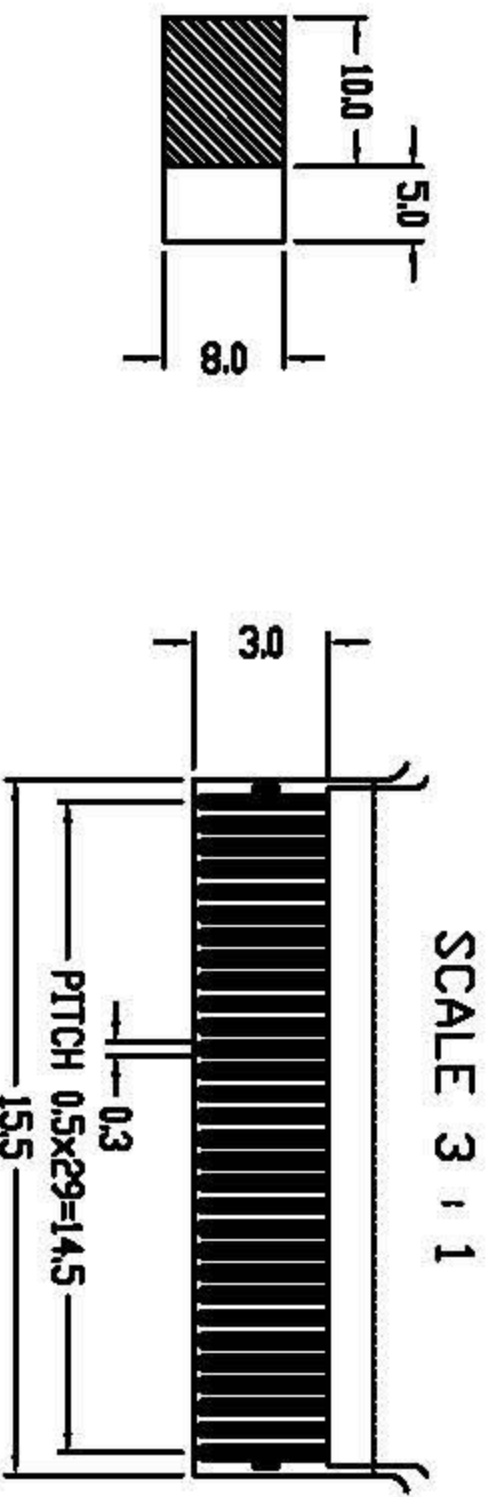
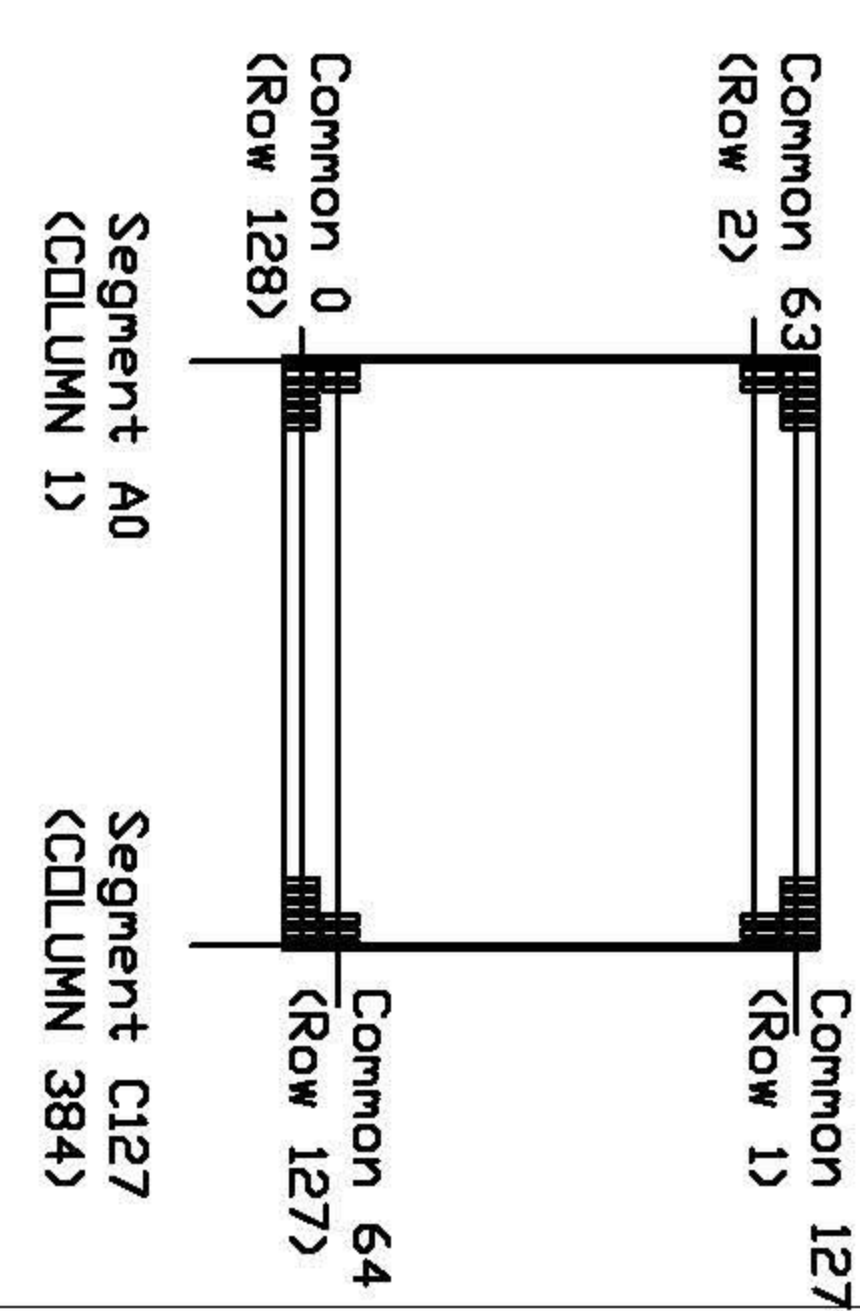
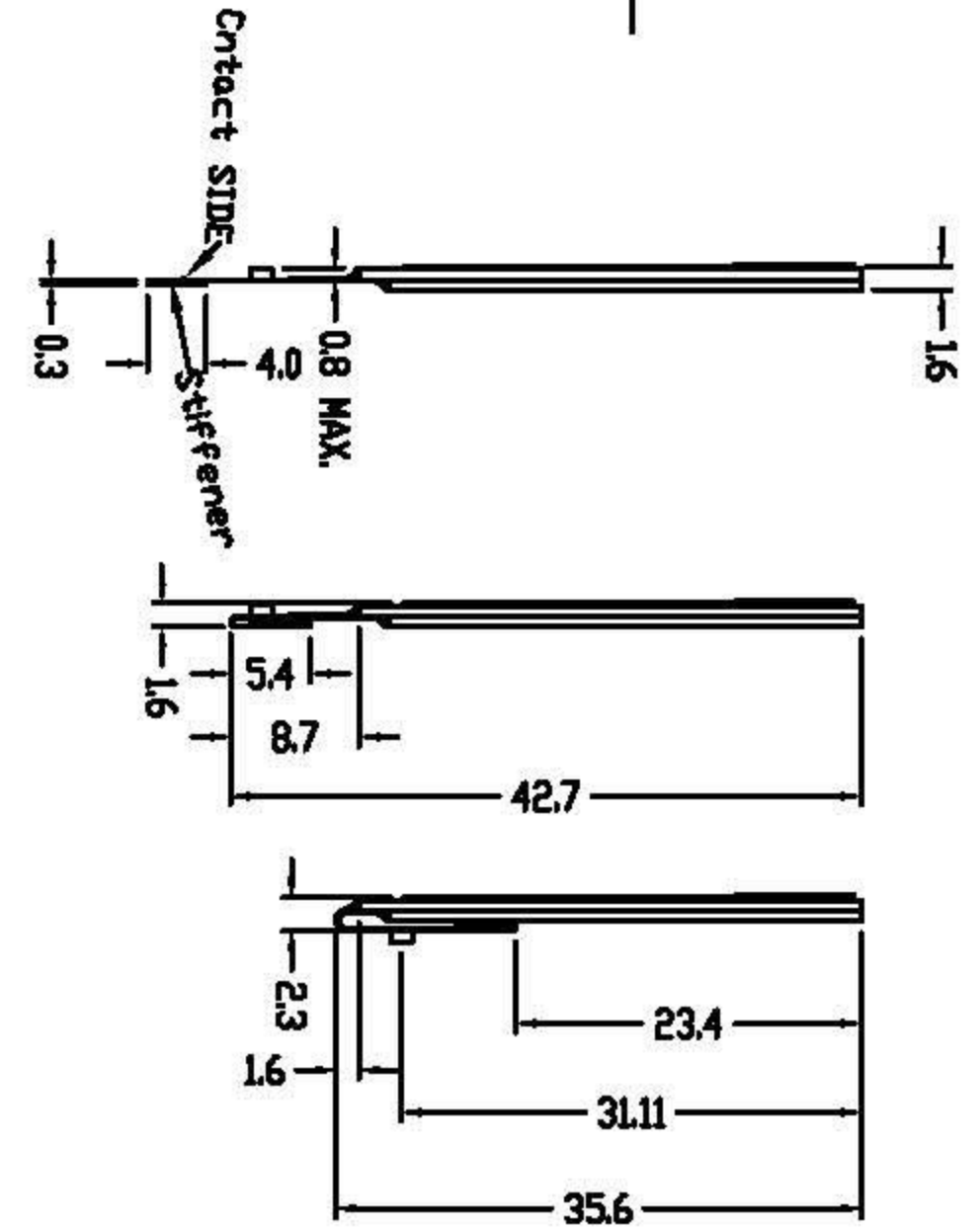
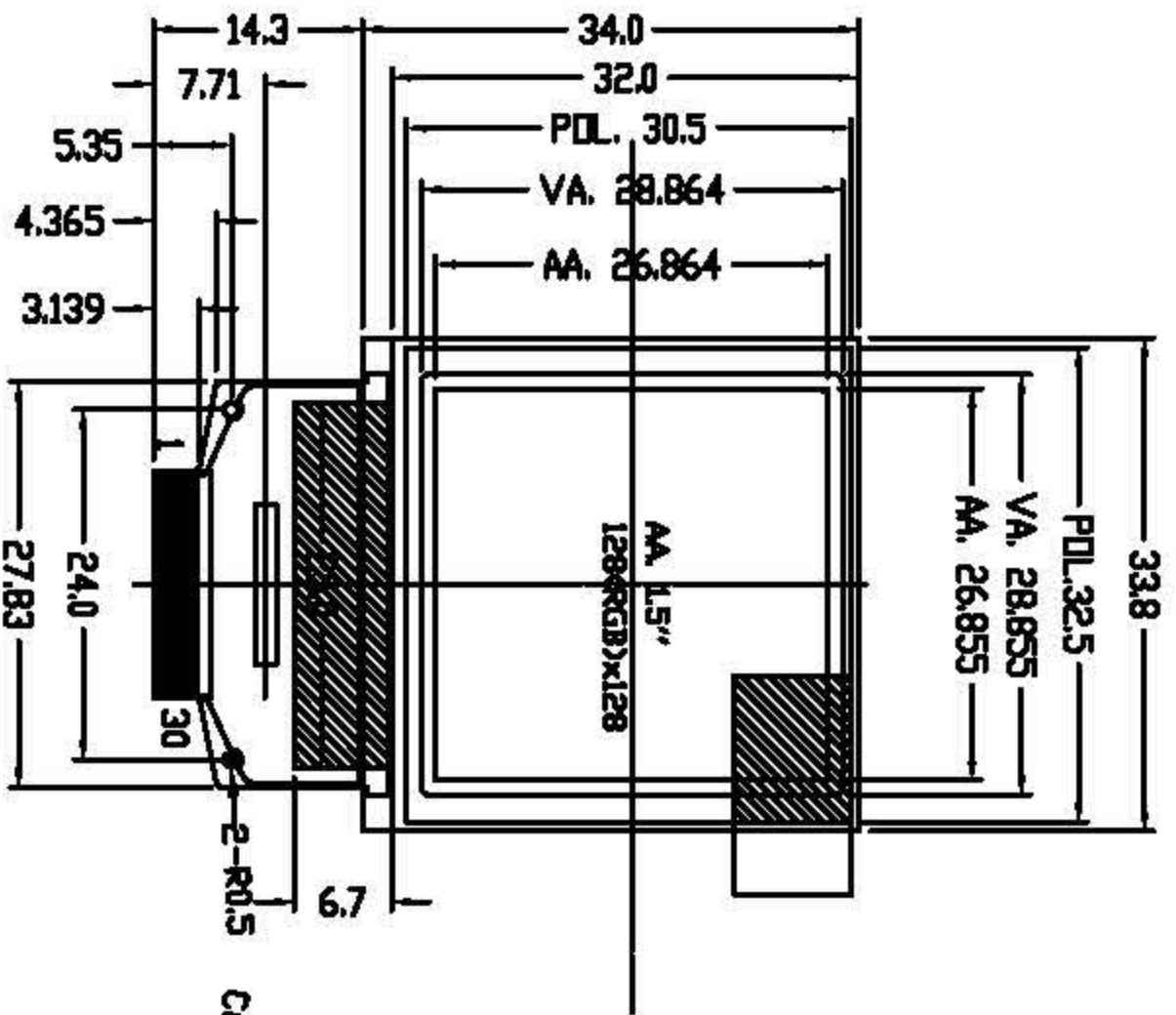


No:	PIN NAME
1	NC.(GND)
2	VCC
3	VCDMH
4	VDDID
5	VSL
6	NC.
7	D7
8	D6
9	D5
10	D4
11	D3
12	D2
13	D1
14	D0
15	E/RD#
16	R/W#
17	BS0
18	BS1
19	CS#
20	D/C#
21	RES#
22	IREF
23	GPID1
24	GPID0
25	NC.
26	VDD
27	VCI
28	VSS
29	NC.
30	NC.(GND)



- NOTES:
- 1.DRIVE IC: SSD1351U3
 - 2.Die Size : 10700um X 1500nm
 - 3.Controller Number : SSD1351US
 - 4.Interface : 8-bits 68XX/80XX Parallel,3-4-wire SPI
 - 5.General Tolerance : ±0.3mm

DRAWN BY:	BY:	TITLE:	0150BN	SCALE:	mm
CHECKED BY:	BY:	DWG NO:		UNIT:	mm
APPROVED BY:	BY:	DWG NAME:		SHEET NO:	01
CONFIRMED BY:	BY:				