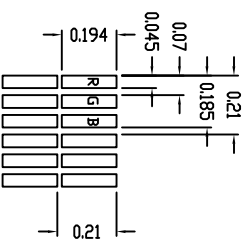
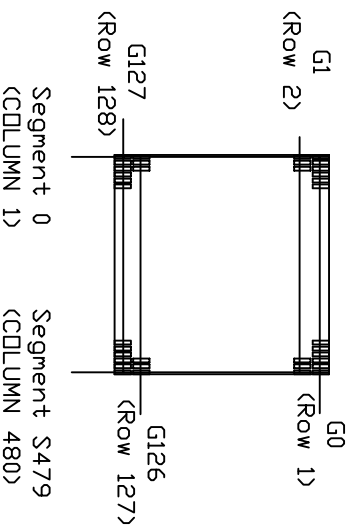
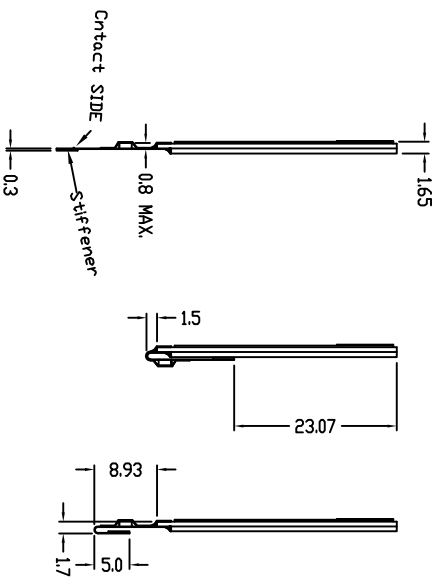
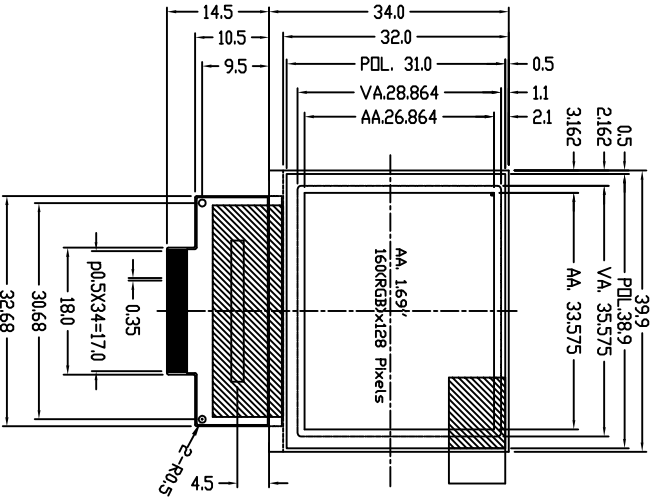


| No. | PIN NAME |
|-----|----------|
| 1 | NC |
| 2 | VSDH |
| 3 | VDDH |
| 4 | VSSH |
| 5 | REF |
| 6 | DSCA2 |
| 7 | DSCA1 |
| 8 | VDDID |
| 9 | VSNCD |
| 10 | VSNVC |
| 11 | HSVNC |
| 12 | DOTCLK |
| 13 | ENABLE |
| 14 | CPU |
| 15 | PS |
| 16 | D17 |
| 17 | D16 |
| 18 | D15 |
| 19 | D14 |
| 20 | D13 |
| 21 | D12 |
| 22 | D11 |
| 23 | D10 |
| 24 | D9 |
| 25 | RS |
| 26 | CSB |
| 27 | RDB |
| 28 | WRB |
| 29 | RESETB |
| 30 | VSS |
| 31 | VDD |
| 32 | VSSH |
| 33 | VDDH |
| 34 | VSDH |
| 35 | NC |



SCALE 40 : 1

NOTES:

- 1.DRIVE IC: SEPS525
- 2.Die Size : 19660um X 1850um
- 3.CDF Number : SEPS525_F00
- 4.Interface :6/8/9/bit,6bit-RGB, 68XX/80XX Parallel,4-wire SPI

| | | | | | |
|---------------|-----|-----------|--------|------------|----|
| DRAWN BY: | BY: | TITLE: | 0169AN | SCALE: | |
| CHECKED BY: | BY: | DWG NO.: | | UNIT: | mm |
| APPROVED BY: | BY: | DWG NAME: | | SHEET NO.: | 0P |
| CONFIRMED BY: | BY: | | | | |